



Siemens Industry Inc., Building Technologies Division
Presentation Abstract

Chilled Beam and Radiant Systems Controls

Summary: This course will provide education for Consulting Engineers and other Technical Professionals on Chilled Beam and Radiant Panel technologies in commercial buildings. It will explain in detail the fundamentals behind chilled beam and radiant panel control, the control components needed to make it work and sample sequence of operations for chilled beam equipment.

Target Audience: Consultants, Architects, ASHRAE, BOMA, USGBC

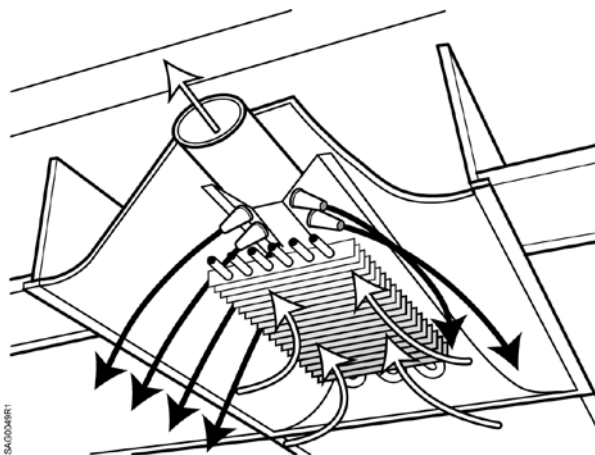
Time: 1 hr

CEU/PDH/USGBC: AIA/CES approved 1.0 LU which is 1.0 hour of General Learning Unit (conversion to CEU or PDH varies by state)

Materials: Slide Presentation

Description:

- Be introduced to the Fundamentals of Chilled Beam configurations
- Learn about ventilation options
- Recommended guidelines to sequences of operations
- Learn about controls best practices



Active Chilled Beam